

DS-3WAP623E-SI Wi-Fi 6 3000M Outdoor Access Point



DS-3WAP623E-SI wireless access point is a new generation of outdoor 802.11ax AP products developed by IEEE 802.11 working group. The product adopts the design of dual radio frequency and four streams to solve the outdoor and other harsh environment coverage scenarios. Meeting the wireless coverage requirements of outdoor scenarios such as small, medium and micro enterprises.

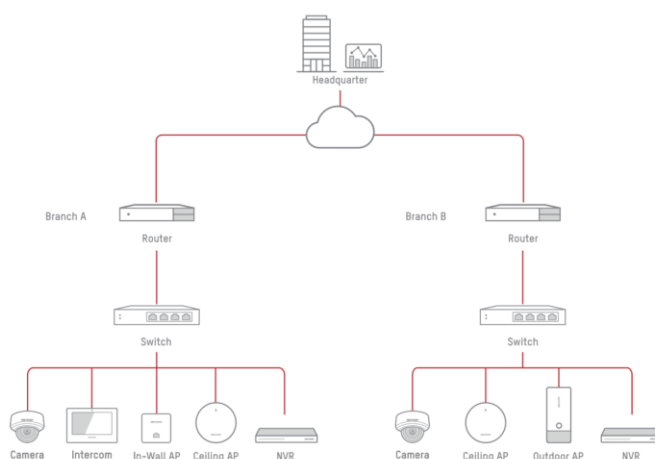
- 1 Gigabit Port with PoE Input
- 802.11ax Wi-Fi 6 2975 Mbps
- 100+ Concurrent User Connections
- Auto RF Optimization
- Support Intelligent Fast Roaming

▪ Specification

General	
Weight	1.07 kg (2.35 lb)
Installation Mode	Wall-Mounted, Pole- Mounted
Working Temperature	-30 °C to 55 °C (-22 °F to 131 °F)
Working Humidity	5% to 95% (no condensation)
Storage Temperature	-40 °C to 85 °C (-40 °F to 185 °F)
Storage Humidity	5% to 95% (no condensation)
Product Dimensions (W × H × D)	102 mm × 110 mm × 250 mm (3.97" × 4.33" × 9.84")
Packing List	3000 M Access Point ×1, Screw Pack × 1, Quick Start Guide ×1, Regulatory Compliance and Safety Information × 1
Power Consumption	Max. 14.4 W
WLAN Parameters	
Maximum Number of Clients	256
Recommended Number of Clients	100
Maximum Number of SSIDs	8
Working Frequency Band	radio 1: 5G(11a/n/ac/ax), radio 2: 2.4G(11b/g/n/ax)
Wi-Fi Standards	Wi-Fi 6
Wi-Fi Speed	2.4 GHz: 575 Mbps, 5 GHz: 2400 Mbps
Spatial Streams	2.4 GHz, 2 × 2 , MU-MIMO, 5 GHz, 2 × 2 , MU-MIMO
Channel Width	2.4 GHz: Auto/20 /40 MHz, 5 GHz: Auto/20 /40 /80/160 MHz
Number of Antennas	2.4GHz: 2; 5GHz: 2
Antenna Type	Built-in omnidirectional antennas
Antenna Gain	2.4 GHz: 10 dBi, 5 GHz: 5 dBi
Transmit Power	23 dBm
Modulation Technology	OFDM: BPSK@6/9Mbps, QPSK@12/18Mbps, 16-QAM@24Mbps, 64-QAM@48/54Mbps; DSSS: DBPSK@1Mbps, DQPSK@2Mbps, CCK@5.5/11Mbps; MIMO-OFDM (11n): MCS 0-15; MIMO-OFDM (11ac): MCS 0-9; MIMO-OFDM (11ax): MCS 0-11;
Software Specifications	
WLAN Security	WAP-PSK, WAP2-PSK, WPA-WAP2-PSK, WAP3, Blocklist & Allowlist, Support Multiple encryption key triggered dynamic unicast/multicast key update, Support Open system/shared key authentication, Support wireless endpoint access, Support 802.11i, Support SSID and VLAN binding
Management & Maintenance	Centralized AC management
Version Upgrade	upgrade on AC Web
Hardware Specifications	
Interface	1 × Gigabit RJ45 uplink port
Power Supply	IEEE 802.3af/at POE, 48 VDC 0.3A
LED Indicator	Yellow/green/blue for different working states, flashing mode
Reset Button	Hardware Resetting Button
Approval	
EMC	CE-EMC (EN 55032: 2015+A11: 2020, EN IEC 61000-3-2: 2019, EN 61000-3-3: 2013+A1: 2019, EN 50130-4: 2011+A1: 2014, EN 55035: 2017+A11: 2020)

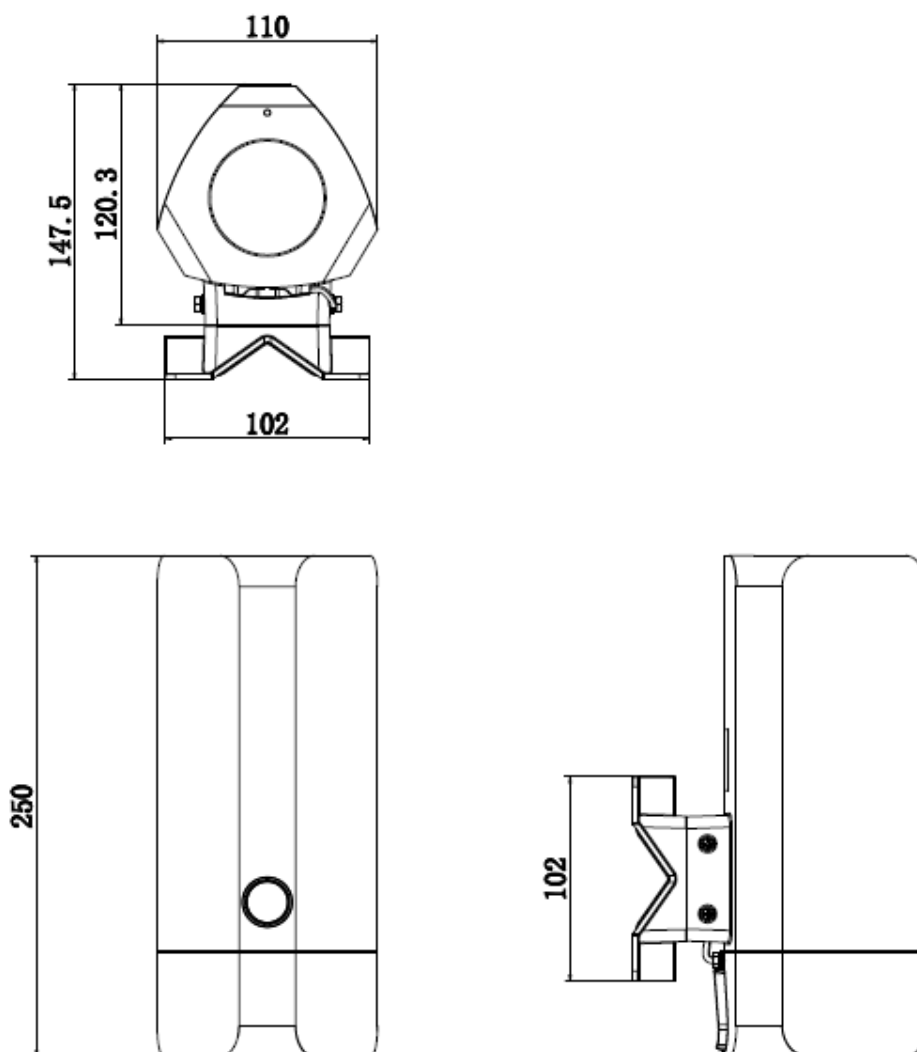
Safety	CB (AMD1:2009, AMD2:2013, IEC 62368-1: 2014 (Second Edition), CE-LVD (EN 62368-1: 2014+A11: 2017), UL (UL 60950-1)
Chemistry	CE-RoHS (2011/65/EU), WEEE (2012/19/EU), Reach (Regulation (EC) No.1907/2006)
Radio	EN 301 893, EN 300 440, EN 62311, EN 301 489-3, EN 301 489-17

▪ **Typical Application**



▪ **Available Model**

DS-3WAP623E-SI

Dimension**Headquarters**

No.555 Qianmo Road, Binjiang District,
Hangzhou 310051, China
T +86-571-8807-5998
www.hikvision.com

Follow us on social media to get the latest product and solution information.



Hikvision



HikvisionHQ



HikvisionHQ



Hikvision_Global

Hikvision
Corporate Channel

hikvisionhq

