

NOW  
HERE!



# Absolute control at your fingertips.

New DC Blue Absolute roll-up garage door operator.

**New Absolute encoder = no physical end-stopper needed**

FOR RESIDENTIAL ROLL-UP DOORS UP TO 8 m<sup>2</sup>

- **Absolute** improvement over previous roll-up door operators.
- **Absolute**, precise control – both when opening and closing.
- **Absolute** ease of installation.
- **Absolute** compatibility with ET-Blu Mix remotes.

## TAKE ABSOLUTE CONTROL OF YOUR INSTALLATION!

The revolutionary new Absolute encoder memorises the exact position of the programmed open limit and closed limit; there's no need to refer to the physical ends of travel stoppers.

The encoder delivers unique pulses that are analysed with each turn of the drum. The controller in turn, uses this data to Absolutely identify the exact position of the door.



Installation: Now easier and faster. You save time!



Rugged, reliable DC motor with battery back-up.



Compact design - the Absolute choice for tight spaces.



Autoclose for extra security. Safety beams must be installed for this function.



An unhackable, uncrackable on-board receiver protects the property.



Bright 400 lumen courtesy light welcomes residents home.

Simply set and fine-tune your open and closed limits once. You're assured of Absolute reliability, Absolute accuracy and Absolutely smooth operation every time.

Experience Absolute control with the new DC Blue Absolute from Nice.

Nice



# TAKE ABSOLUTE CONTROL OF YOUR INSTALLATION!

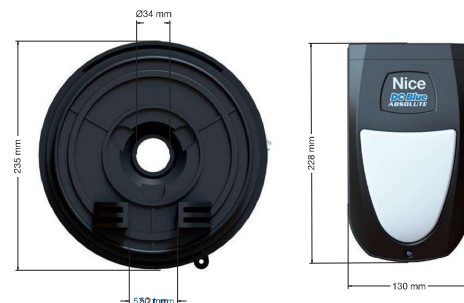
## EASILY SET AND KEEP EXACT LIMITS FOR RESIDENTIAL ROLL-UP GARAGE DOORS OF UP TO 8 m<sup>2</sup>

The revolutionary new Absolute encoder memorises the exact position of the programmed open limit and closed limit; there's no need to refer to the physical ends of travel stoppers.

The encoder delivers unique pulses that are analysed with each turn of the drum. The controller in turn, uses this data to Absolutely identify the exact position of the door.

Technical specification	DC BLUE ABSOLUTE
Applicable door types:	Spring balanced, one-piece Aluzinc or Chromadek roll-up doors
Maximum door size:	8 m <sup>2</sup>
Maximum lifting force: 2,5	35 kgf
Maximum drum revolutions:	137
End-of-travel positions (limits):	Determined by Absolute encoder
Operating speed: 2,5	130 < 165 mm/sec
Input voltage:	220-240 VAC, 50 Hz
Electric motor supply:	24 VDC battery
Maximum operations per day: 1,2,3	25 full cycles per 24 h @ maximum rate of 5 per hour
Built-in battery charger compatibility:	LiFePO4 with BMS, Lithium-ion with BMS, SLA (AGM, GEL & Crystal)
Battery charger rating:	350 mA @ 27,6 V (9,6 W)
Expected number of operations on battery reserve without AC Present: 1,2,3,4	50 within 48 hours of household mains failure
Built-in LED courtesy light brightness:	400 lumens
Built-in receiver frequency:	433.92 MHz
Built-in receiver compatible formats:	ET-Blu Mix © and ET Blue ©
Built-in receiver memory capacity:	31 transmitters. Up to 4 buttons each.
Built-in receiver functions:	Button Trigger, Courtesy light, Aux Relay trigger <sup>6</sup> , Holiday lock-out
Door forced open alarm:	Yes 6, 7

1. Door opening height dependent.
2. Battery state of charge (SOC) and health dependent.
3. Door load dependent.
4. Battery reserve time can be increased by installing a Nice lithium battery.
5. Door drum-wheel diameter dependent.
6. With an optional Nice E-Coms module installed.
7. With an optional magnetic reed switch installed.



Designed, manufactured, distributed and supported by Nice