



CENTURION



GLX900 GATELOCK

GLX900 ELECTRONIC GATE LOCK

Give your gate the muscle to keep criminals out

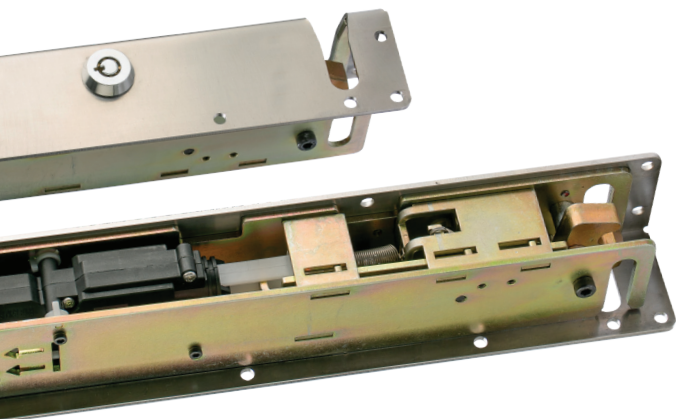
A BRAND OF
FAAC TECHNOLOGIES



MADE IN
SOUTH
AFRICA

24
MONTH
WARRANTY





GLX900 ELECTRONIC GATE LOCK

You've invested in your peace of mind – now add an extra layer of security with the new **GLX900** electronic gate lock.

Integrating seamlessly with both swing and sliding gates, the **GLX900** puts your security first by guarding one of the most important access points into your residence against being forced open or otherwise compromised.

With an innovative design and sophisticated, leading-edge locking mechanism that provides both strength and reliability, you'll rest so much easier with the **GLX900** installed.

Beyond that, the **GLX900** makes your life easier with intuitive unlocking that will keep you coming and going, delivering the convenience you need, when you need it.

Get the gate security solution that Guards, Locks, eXpertly. Get the GLX, only from the industry leader in gate security.

FEATURES AND BENEFITS

The ultimate in security

With a commanding break-in force of 900kg, the **GLX900** never lets up. It's a tough-as-nails, maximum-strength solution that offers full protection for your gate. In addition to helping to prevent potential break-ins, the lock's heavyweight design means that it can be locked and unlocked during high winds and with a high pre-load.

Stunningly compact

The **GLX900** uses a minimum of space to deliver a maximum of benefits, and is beautifully unobtrusive and discreet, being able to fit into a scant 50mm x 50mm square tube.

We've also given special attention to the lock's styling, with a sleek and refined stainless steel housing making it the perfect addition for any gate.

Versatile

We know that gates come in all shapes and sizes. Get the lock that's right for **your** gate's unique profile. The **GLX900** is suitable for both swing and sliding gates.

Outstanding long-term performance

When it comes to your security, there's no compromising on quality. With an incredible 150 000-cycle design life, the **GLX900** is built to last and won't quit.

Excellent efficiency

Big security with a small appetite. Other types of locks that draw continuous current can be pretty hard on your gate motor's batteries – but not the **GLX900**.

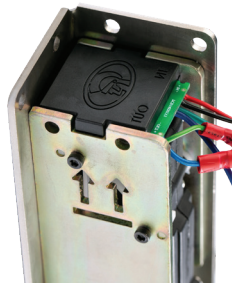
This highly efficient lock uses pulse current – which is momentary - to activate the mechanism, making it a battery-friendly solution that helps to ensure your gate motor's reliability and performance.

Making your life easier

Combining the best features of our SMART products with the intelligent design of the lock, configuring the **GLX900** couldn't be easier or more intuitive and can be done in no time and with minimal effort through your CENTURION SMART solution and the MyCentsys Pro mobile app.

You can even set it up with one of our ULTRA GSM solutions or a pulse-stretcher.

We've taken the hassle and mystique out of gate security for a lock that is strong, reliable and ready to go in no time.

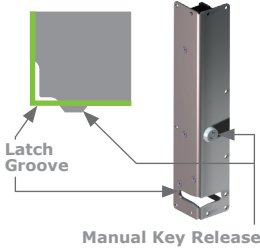


TECHNICAL SPECIFICATIONS

Technical Data	GLX900
Operating voltage	10.8 - 30V AC
Maximum current draw	2.7A @500mS
Minimum pulse duration	1 Second
Operating temperature range	-20°C - 50°C
Dimensions	Height: 305mm Width: 52mm Depth: 52mm
Weight	1450g
Material	
Lock housing	Grade 304 Stainless Steel
Lock components	Zinc plated Mild Steel
Gate staple	Spray-galvanised Mild Steel
Pop rivets	Grade 304 Stainless Steel
Ultimate strength	900kg

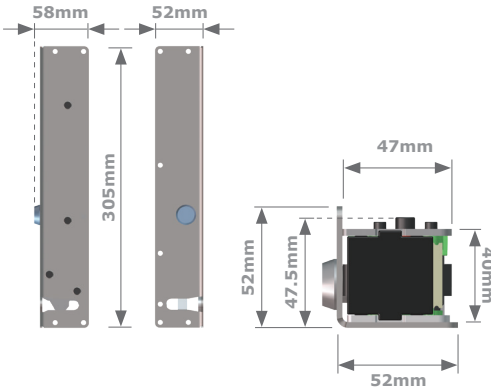
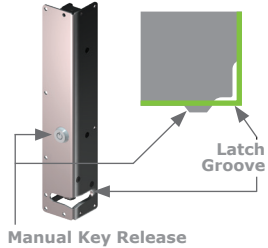
TYPE 1

Type 1 Profile



TYPE 2

Type 2 Profile



1403.D.02.0001_10052022

Call 0860-CENTURION (0860 236 887) to order or to find out more
 Technical support line: 0861 003 123 (Monday - Friday: 08h00 - 17h00, Saturday 08h00 - 14h00)
 E&OE. Centurion Systems (Pty) Ltd reserves the right to change any product without prior notice