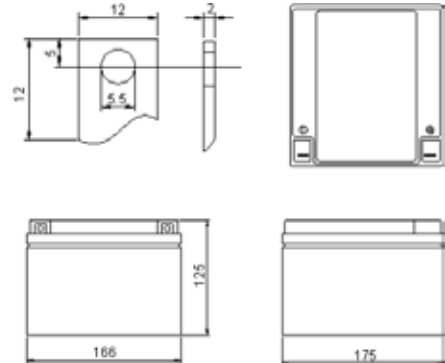


BA06-2

Sealed Lead Acid (SLA) Battery 12V 25Ah



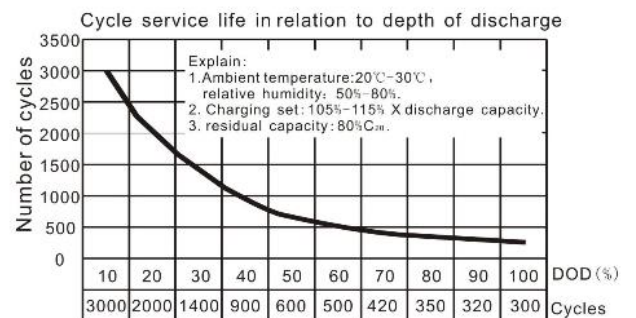
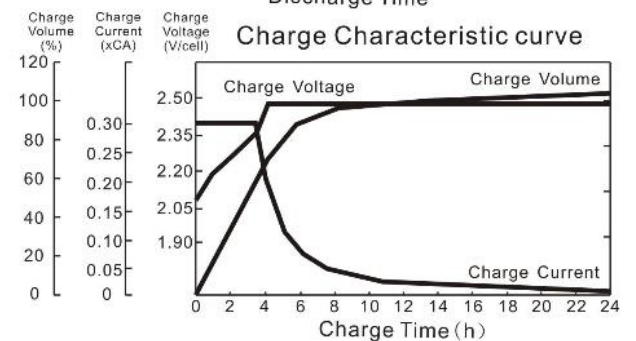
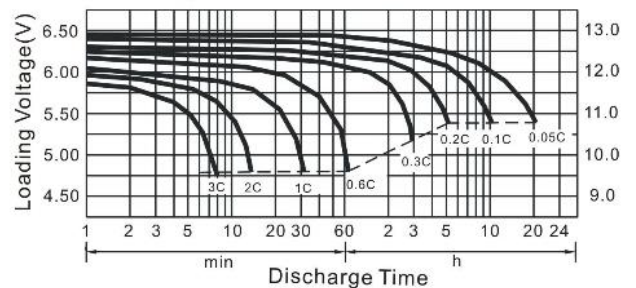
● Specifications

Nominal Voltage		12V
Rated Capacity 77°F(25°C) (20HR)		25.0Ah
Dimensions (mm/inch)	Length	175 (6.89)
	Width	166 (6.54)
	Height	125 (4.92)
	Total Height	125 (4.92)
Approx. Weight (kg/lbs)		8.3 (18.30)
Terminal		T3-24/T10

● Characteristic

Capacity 77°F(25°C)	20HR (1.30A)	26.0Ah
	10HR (2.35A)	23.5Ah
	5HR (4.30A)	21.5Ah
	1HR (15.4A)	15.4Ah
	15 min rate (46.3A)	11.6Ah
Internal Resistance	Full Charged Battery 77°F(25°C)	Approx. 12mΩ
Temperature dependence of capacity (20HR)	104°F(40°C)	102%
	77°F(25°C)	100%
	32°F(0°C)	85%
	5°F(-15°C)	65%
Self-Discharge 68°F(20°C) (Capacity after)	3 months	90%
	6 months	80%
	12 months	60%
Max. Discharge Current, 77°F(25°C)		375A(5s)
Design life for deep cycle(DOD80%), 77°F(25°C)		300 Cycles
Constant Voltage Charge, 77°F(25°C)	Cycle	14.5-14.9V(-24mV/°C) max. current: 7.5 A
	Float	13.6-13.8V(-18mV/°C)

Discharge Characteristics 77°F (25°C)



Constant Current Discharge Characteristics (A), 77°F(25°C)

F.V/TIME	5min	10min	15min	30min	60min	2H	3H	5H	8H	10H	20H
1.60V/cell	95.0	60.0	46.3	25.00	16.33	9.10	6.75	4.53	2.99	2.45	1.32
1.70V/cell	90.3	57.0	44.2	23.90	15.75	8.75	6.63	4.46	2.95	2.42	1.31
1.75V/cell	88.5	55.8	43.4	23.40	15.46	8.58	6.50	4.38	2.90	2.38	1.30
1.80V/cell	86.8	54.5	42.6	22.95	15.20	8.43	6.38	4.30	2.86	2.35	1.30

Constant Wattage Discharge Characteristics (Watt), 77°F(25°C)

F.V/TIME	5min	10min	15min	30min	60min	2H	3H	5H	8H	10H	20H
1.60V/cell	172.5	110.0	85.5	46.67	30.76	17.27	12.94	8.78	5.83	4.83	2.62
1.70V/cell	165.5	105.5	82.5	45.00	29.93	16.78	12.81	8.70	5.80	4.81	2.61
1.75V/cell	163.8	104.0	81.7	44.45	29.64	16.60	12.68	8.60	5.75	4.75	2.60
1.80V/cell	162.0	102.7	80.9	44.00	29.38	16.45	12.56	8.52	5.67	4.70	2.60